

ST580

Hair mousse spout



An hair mousse spout designed for foam applications in the personal care market segment.

Product features:

- ✔ Designed for foam applications
- ✔ Matt/Gloss finish actuator
- ✔ Overcap available in matt or gloss
- ✔ Compatible with LINDAL's LI, LIB and male Bag-on-valve (BOV)



More info:

Visit: www.lindalgroup.com

Email: products@lindalgroup.com

Contact: Your local sales consultant

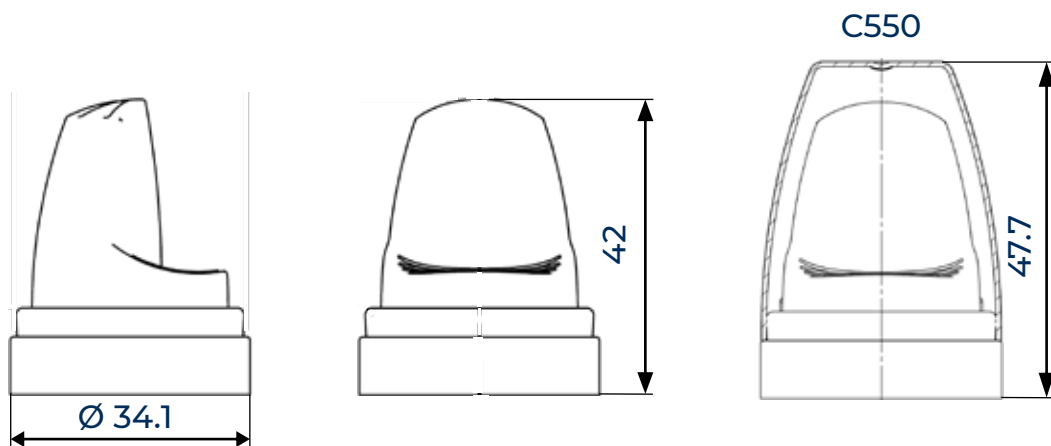


Your Innovation Partner

Available configurations

- ✔ Designed for foam applications
- ✔ Compatible with LINDAL's LI, LIB and male Bag-on-valve (BOV)

Technical details



Compatible valves	LI, LIB, male BOV	Suitable cans	Suitable with both Aluminium and Tinplate cans
Stem Ø	4mm		
Available insert	N/A		
Skirt size	TBC	Available overcaps	C550

i Further technical information is available on request

Product packaging

- ✔ 1,800 units per box (with overcap)
2,500 units per box (without overcap)
- ✔ 16 boxes per euro pallet (If 1,800 units per box)
20 boxes per euro pallet (If 2,500 units per box)
- ✔ 28,800 units per pallet (If 16 boxes per pallet)
50,000 units per pallet (If 20 boxes per pallet)

More info:

Visit: www.lindalgroup.com

Email: products@lindalgroup.com

Contact: Your local sales consultant