

Flip440

Spray head with attached overcap



Flip440 is an insert-less spray head with an integrated overcap, suitable for home care and technical applications.

Product features:

- ✔ Matt finish actuator with gloss overcap
- ✔ Available with fitted tube
- ✔ Compatible with LINDAL's LI, LIB and male Bag-on-valve (BOV)



More info:

Visit: www.lindalgroup.com

Email: products@lindalgroup.com

Contact: Your local sales consultant

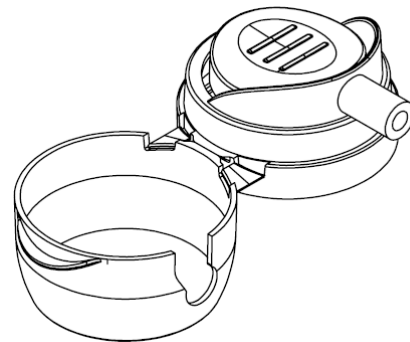
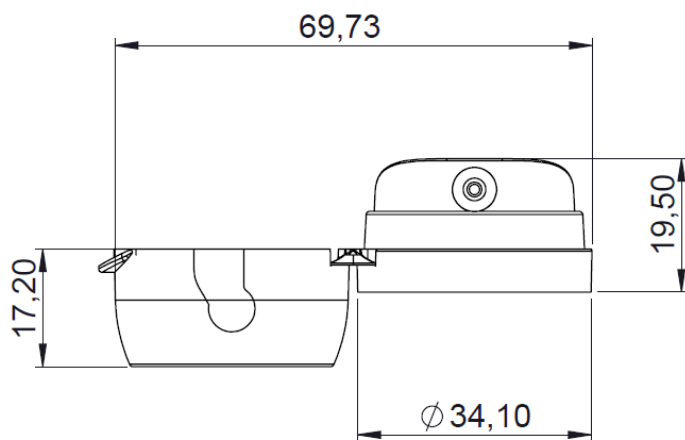


Your Innovation Partner

Available configurations

- ✔ Compatible with LINDAL's LI, LIB and male Bag-on-valve (BOV)
- ✔ Available with or without a fitted tube

Technical details



Compatible valves	LI, LIB, Male BOV	Suitable cans	Aluminium Tinplate
Stem Ø	N/A	Available overcap	Integrated Overcap
Available insert	Tube with OD ø 2,2 or OD ø 3,3 mm (different lengths available)		
Skirt size	N/A		

i Further technical information is available on request

Product packaging

- ✔ 2,500 units per box
- ✔ 20 boxes per euro pallet
- ✔ 50,000 units per pallet

More info:

Visit: www.lindalgroup.com

Email: products@lindalgroup.com

Contact: Your local sales consultant



Your Innovation Partner