

Teo

52mm spraycap



A modern one piece actuator design suitable for body sprays, room fresheners or fabric care applications.

Product features:

- ✔ Mono material with matt and gloss finished surfaces
- ✔ Compatible with LI, LIP and LIB valves
- ✔ Compatible with LINDAL's full range of male Bag-on-valves (BOV)



More info:

Visit: www.lindalgroup.com

Email: products@lindalgroup.com

Contact: Your local sales consultant

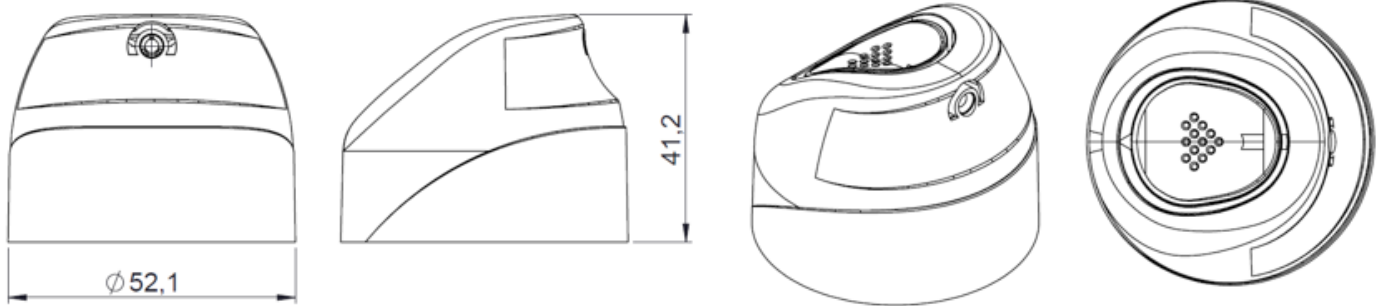


Your Innovation Partner

Available configurations

- ✔ Compatible with 4mm stem valves (LI, LIB, male BOV) & 3.3mm stem valves (LIP)
- ✔ Available with T130 and M40 inserts

Technical details



Valve type	LI, LIB, LIP, male BOV
Stem \varnothing	3.3mm or 4mm
Insert	T130 and M40
Skirt	6.2mm

Can type	\varnothing 52mm tinplate cans \varnothing 53mm aluminium cans
Available overcap	N/A

i Further technical information is available on request

Product packaging

- ✔ 650 units per box
- ✔ 20 boxes per euro pallet
- ✔ 13,000 units per pallet

More info:

Visit: www.lindalgroup.com

Email: products@lindalgroup.com

Contact: Your local sales consultant