

# RST 324/326

## Full cup insert-less actuator



A full cup insert-less actuator suitable for applications in the personal care, home care and technical market segments.

### Product features:

- ✓ Various tube specifications available
- ✓ Compatible with LINDAL's LI, LIP and male Bag-on-valve (BOV)



### More info:

Visit: [www.lindalgroup.com](http://www.lindalgroup.com)

Email: [products@lindalgroup.com](mailto:products@lindalgroup.com)

Contact: Your local sales consultant



Your Innovation Partner

# RST 324/326

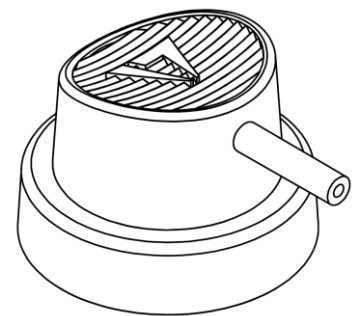
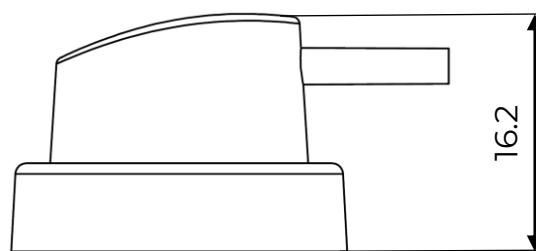
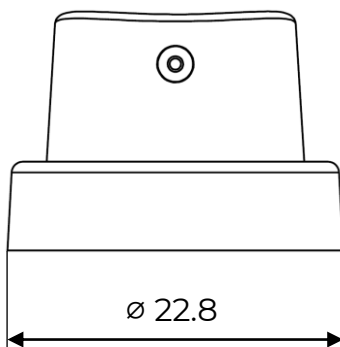
Technical details

## Full cup insert-less actuator

### Available configurations

- ✔ Compatible with LINDAL's LI, LIP and male Bag-on-valve (BOV)
- ✔ Various tube specifications available

### Technical details



Compatible valves	LI, LIP, male BOV	Suitable cans	Aluminium Tinplate PET
Stem $\varnothing$	4mm	Available overcap	N/A
Available insert	N/A		
Skirt size	N/A		

**i** Further technical information is available on request

### Product packaging

- ✔ 7,000 units per box
- ✔ 24 boxes per euro pallet
- ✔ 168,000 units per pallet

#### More info:

Visit: [www.lindalgroup.com](http://www.lindalgroup.com)

Email: [products@lindalgroup.com](mailto:products@lindalgroup.com)

Contact: Your local sales consultant



Your Innovation Partner