

RST 324/326

Actuator with moulded tube



A full cup insert-less actuator suitable for applications in the personal care, home care and technical market segments.

Product features:

- ✓ Various tube specifications available
- ✓ Compatible with LINDAL's LI valve and male Bag-on-valve (BOV)



More info:

Visit: www.lindalgroup.com

Email: products@lindalgroup.com

Contact: Your local sales consultant



Your Innovation Partner

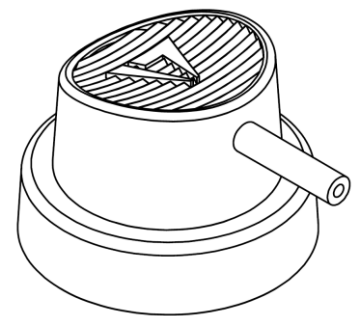
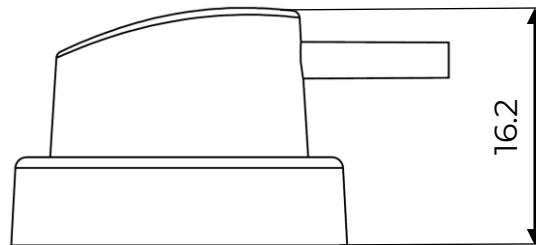
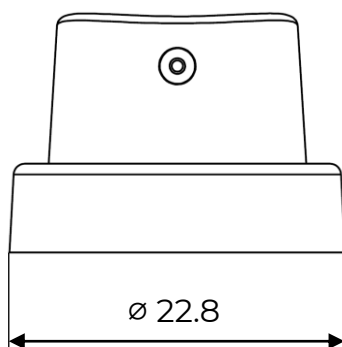
RST 324/326

Technical details
Actuator with moulded tube

Available configurations

- ✔ Compatible with LINDAL's LI valve and male Bag-on-valve (BOV)
- ✔ Various tube specifications available

Technical details



Compatible valves	LI, male BOV	Suitable cans	Aluminium Tinplate PET
Stem \varnothing	4mm	Available overcap	N/A
Available insert	N/A		
Skirt size	N/A		

i Further technical information is available on request

Product packaging

- ✔ 7,000 units per box
- ✔ 24 boxes per euro pallet
- ✔ 168,000 units per pallet

More info:

Visit: www.lindalgroup.com

Email: products@lindalgroup.com

Contact: Your local sales consultant