

# F03/F05

## Full cup actuator



A 35mm button actuator designed for technical applications.

### Product features:

- ✔ Available with MBU (mechanical breakup) and non-MBU inserts
- ✔ Compatible with LINDAL's RT valve and female Bag-on-valve (BOV)



### More info:

Visit: [www.lindalgroup.com](http://www.lindalgroup.com)

Email: [products@lindalgroup.com](mailto:products@lindalgroup.com)

Contact: Your local sales consultant



Your Innovation Partner

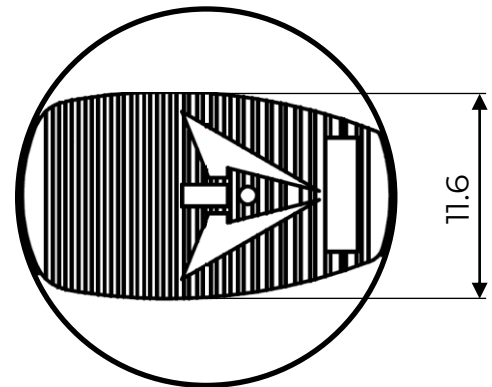
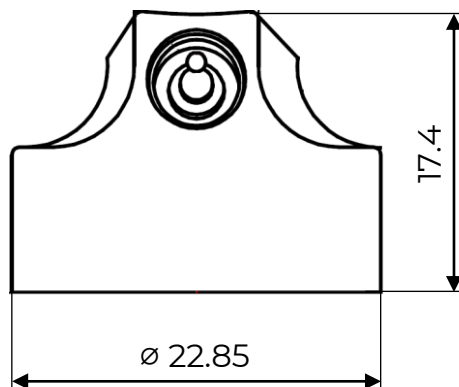
# F03/F05

Technical details  
Full cup actuator

## Available configurations

- ✔ Compatible with LINDAL's RT valve and female Bag-on-valve (BOV)
- ✔ Available with MBU (mechanical breakup) inserts

## Technical details



Compatible valves	RT and female BOV	Suitable cans	Aluminium Tinplate
Stem Ø	Connects to seat	Available overcap	N/A
Available insert	F03 - 5138 F05 - 4728, BU13		
Skirt size	N/A		

**i** Further technical information is available on request

## Product packaging – F03

- ✔ 9,00 units per box
- ✔ 20 boxes per euro pallet
- ✔ 180,000 units per pallet

## Product packaging – F05

- ✔ 8,000 / 12,500 units per box
- ✔ 20 boxes per euro pallet
- ✔ 160,000 / 250,000 units per pallet

### More info:

Visit: [www.lindalgroup.com](http://www.lindalgroup.com)

Email: [products@lindalgroup.com](mailto:products@lindalgroup.com)

Contact: Your local sales consultant