

# 335/336

## Full cup actuator



A popular button actuator designed for use with technical applications.

### Product features:

- ✔ Primarily used for graffiti applications
- ✔ Available with MBU (mechanical breakup) and non-MBU inserts
- ✔ Compatible with LINDAL's RT valve and female Bag-on-valve (BOV)



### More info:

Visit: [www.lindalgroup.com](http://www.lindalgroup.com)

Email: [products@lindalgroup.com](mailto:products@lindalgroup.com)

Contact: Your local sales consultant

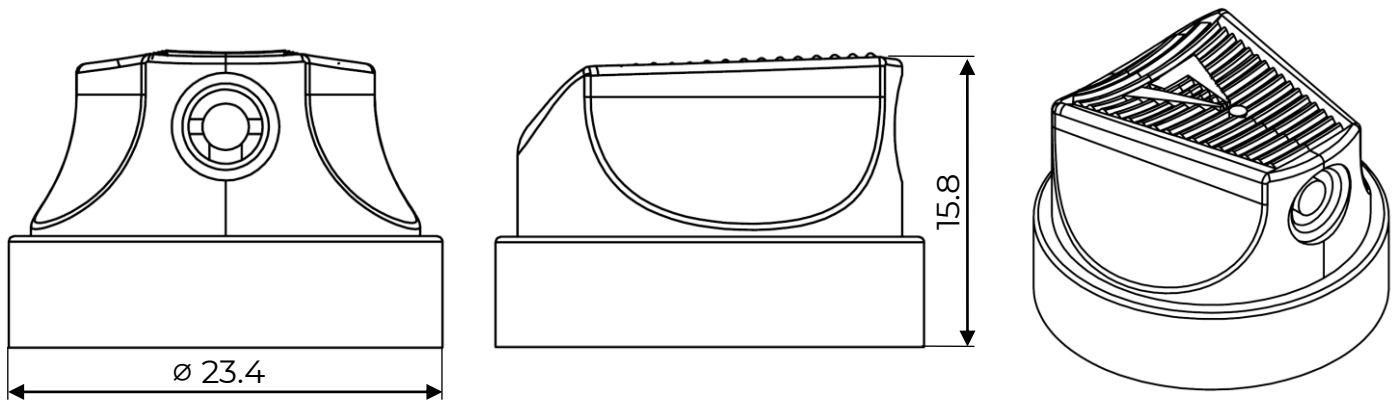


Your Innovation Partner

## Available configurations

- ✔ Compatible with LINDAL's RT valve and female Bag-on-valve (BOV)
- ✔ Available with MBU (mechanical breakup) and non-MBU inserts

## Technical details



|                   |                |                   |                       |
|-------------------|----------------|-------------------|-----------------------|
| Compatible valves | RT, Female BOV | Suitable cans     | Aluminium<br>Tinplate |
| Stem Ø            | N/A            | Available overcap | N/A                   |
| Available insert  | T130, 130      |                   |                       |
| Skirt size        | N/A            |                   |                       |

**i** Further technical information is available on request

## Product packaging

- ✔ 6,500 units per box
- ✔ 24 boxes per euro pallet
- ✔ 156,000 units per pallet

### More info:

Visit: [www.lindalgroup.com](http://www.lindalgroup.com)

Email: [products@lindalgroup.com](mailto:products@lindalgroup.com)

Contact: Your local sales consultant