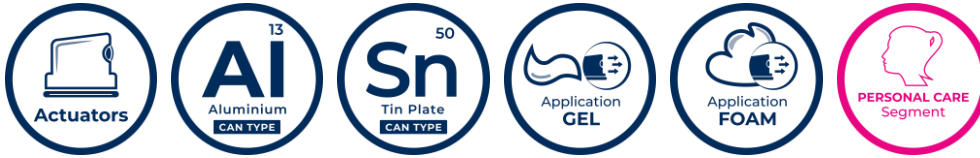


Wave

Shaving gel and foam actuator



Wave is an insert-less spray cap with overcap which is designed to be used for shaving gel and foam applications.

Product features:

- ✔ Ideal for shaving gel or foam applications
- ✔ Matt or gloss finish actuator with gloss over cap (C52A or C52R)
- ✔ Compatible with LINDAL's LI, RT and female Bag-on-valve (BOV)



More info:

Visit: www.lindalgroup.com

Email: products@lindalgroup.com

Contact: Your local sales consultant

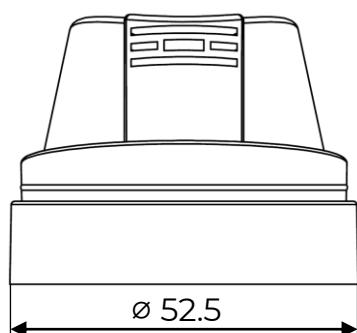


Your Innovation Partner

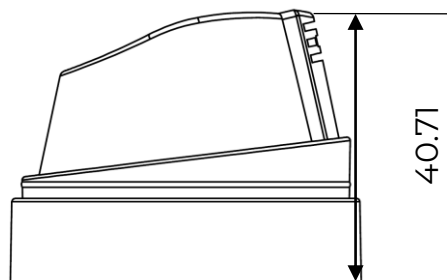
Available configurations

- ✔ Compatible with LINDAL's LI, RT and female Bag-on-valve (BOV)
- ✔ Matt or gloss finish actuator with gloss over cap (C52A or C52R)

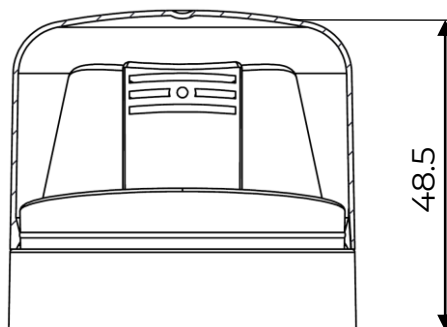
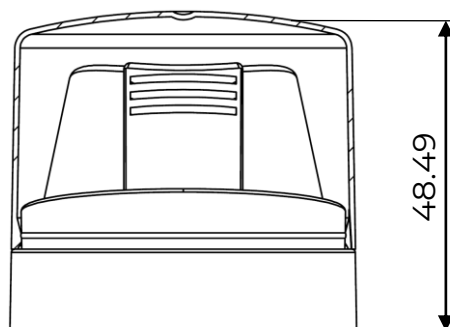
Technical details



C52A



C52R



| | | | |
|-------------------|--------------------|--------------------|---|
| Compatible valves | LI, RT, female BOV | Suitable cans | Ø 52mm tinplate cans Ø 53mm aluminium cans |
| Stem Ø | 4mm | Available overcaps | C52A C52R |
| Available insert | N/A | | |
| Skirt size | 6.2mm | | |

i Further technical information is available on request

Product packaging

- ✔ 700 units per box
- ✔ 16 boxes per euro pallet
- ✔ 11,200 units per pallet

More info:

Visit: www.lindalgroup.com

Email: products@lindalgroup.com

Contact: Your local sales consultant



Your Innovation Partner