

LI Valve

Standard one-inch male valve



The LI Valve is a general purpose male valve, which is suitable for a wide range of applications across all key aerosol market segments.

For use with a large variety of standard and custom actuators and spray caps.

Product features:

- ✔ Recommended for non-powder based formulations in personal care, homecare, technical, food and all other general purpose products
- ✔ Extensive specification combinations available that can be tailored to your formulation
- ✔ Continuous spray



More info:

Visit: www.lindalgroup.com

Email: products@lindalgroup.com

Contact: Your local sales consultant



Your Innovation Partner

LI Valve

Technical details

Standard one-inch male valve

① Mounting cup

Tinplate

- With or without dimples
- Plain or epoxy lacquer (clear or gold)
- Polypropylene laminated

Tin Free Steel (TFS) PET laminate

Aluminium

- With or without dimples
- Epoxy clear lacquer
- Epoxy gold lacquer + micoflex

② Outer Gasket

Buna, Butyl

③ Inner Gasket

Neoprene, Buna, Chlorobutyl, Butyl

④ Valve stem

Polyamide

- 3.3mm stem \varnothing or 4.0mm stem \varnothing
- 1, 2 or 4 stem orifices with 0.34mm \varnothing to 0.75mm \varnothing

⑤ Spring

Stainless steel

⑥ Housing

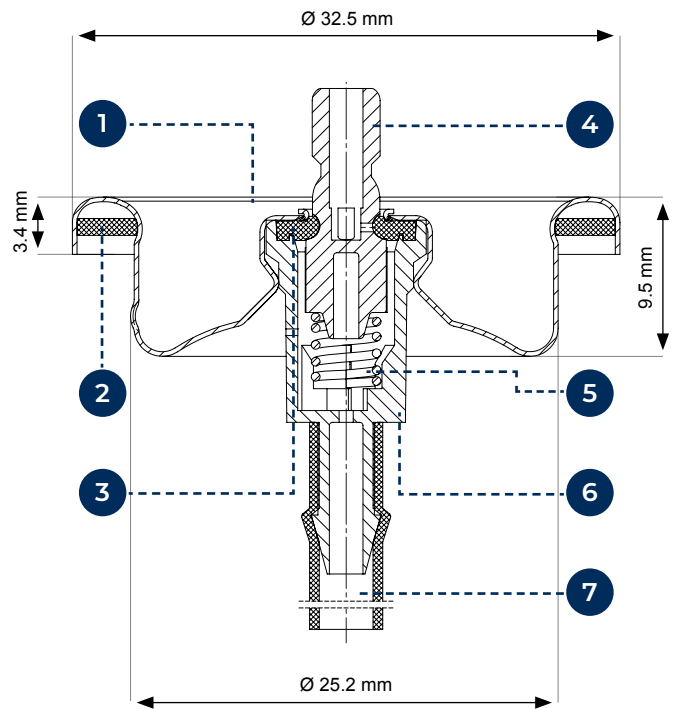
Polyamide

- RTP sizes ranging from 0.5mm to 2mm
- VPH sizes ranging up to 1.00mm
- Slotted version available for inverted use

⑦ Diptube

Polyethylene

- Available with straight cut or V cut



* Dimensions are subject to standard manufacturing tolerances



More info:

Visit: www.lindalgroup.com

Email: products@lindalgroup.com

Contact: Your local sales consultant



Your Innovation Partner