

LIP Valve

Standard one-inch male valve



The LIP Valve is a general purpose male valve, which is suitable for a wide range of applications across personal care, pharmaceutical and food market segments.

For use with a large variety of standard and custom actuators and spray caps.

Product features:

- ✔ Ideal for formulations with a powder content such as antiperspirants
- ✔ Extensive specification combinations available
- ✔ Continuous spray



More info:

Visit: www.lindalgroup.com

Email: products@lindalgroup.com

Contact: Your local sales consultant



Your Innovation Partner

LIP Valve

Technical details

Standard one-inch male valve

1 Mounting cup

Tinplate

- With or without dimples
- Plain or epoxy lacquer (clear or gold)
- Polypropylene laminated

Tin Free Steel (TFS) PET laminate

Aluminium

- With or without dimples
- Epoxy clear lacquer
- Epoxy gold lacquer + micoflex

2 Outer Gasket

Buna, Butyl

3 Inner Gasket

Neoprene, Buna, Chlorobutyl, Butyl

4 Valve stem

Polyamide

- 3.3mm stem \varnothing
- 1 or 2 stem orifices with 0.5mm \varnothing

5 Spring

Stainless steel

6 Housing

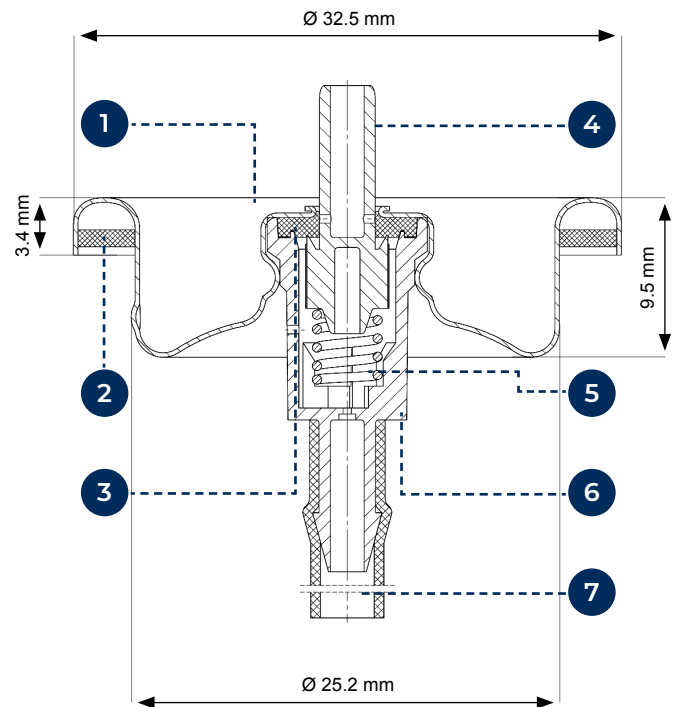
Polyamide

- RTP sizes ranging from 0.5mm to 2mm
- VPH sizes ranging up to 1.00mm
- Slotted version available for inverted use

7 Diptube

Polyethylene

- Available with straight cut or V cut



* Dimensions are subject to standard manufacturing tolerances



More info:

Visit: www.lindalgroup.com

Email: products@lindalgroup.com

Contact: Your local sales consultant



Your Innovation Partner