

Kemp 1-inch

Standard one-inch male valve



The Kemp 1-inch Valve is a metered dose valve which is suitable for a wide range of applications across the personal care, home care and technical market segments.

Product features:

- ✓ Proven functionality up to 9000 actuations
- ✓ Continuous or metered dose valve
- ✓ Available metered volumes (25-120 μ l)
- ✓ Low actuation force
- ✓ Extensive specification combinations available



More info:

Visit: www.lindalgroup.com

Email: products@lindalgroup.com

Contact: Your local sales consultant



Your Innovation Partner

Kemp 1-inch

Technical details Standard one-inch male valve

1 Ferrule

Tinplate

- With dimples
- Plain or epoxy lacquer (clear or gold)
- Polypropylene laminated

2 Outer Gasket

Buna / no gasket if PP cup is used

3 Inner Gasket

Neoprene, Buna, Butyl

4 Valve stem

Metal

- 3mm stem \varnothing
- 1 orifice with 0.5mm \varnothing to 0.8mm \varnothing

Acetal copolymer

- 3mm stem \varnothing
- 2 stem orifices with 0.6mm \varnothing

5 Metering chamber

TPE

6 Spring

Stainless steel standard or soft (K900)

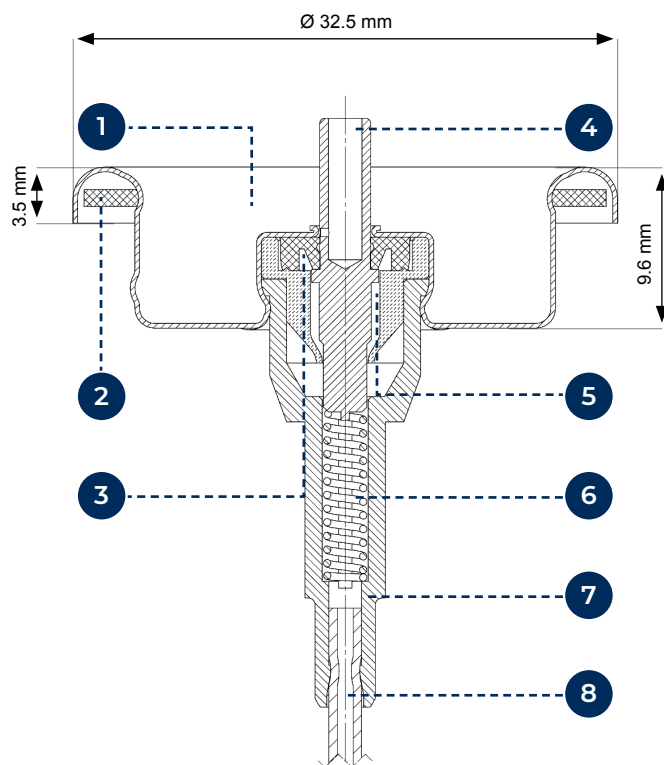
7 Housing

Acetal copolymer

- Slotted version available for inverted use

8 Diptube

Olefin resin



* Dimensions are subject to standard manufacturing tolerances



i Further technical information is available on request

More info:

Visit: www.lindalgroup.com

Email: products@lindalgroup.com

Contact: Your local sales consultant



Your Innovation Partner