

# FL Valve

High discharge one-inch male valve



The FL Valve is a high velocity male valve, which is suitable for a wide range of applications across the home care, technical and food market segments.

For use with LINDAL's FL actuator.

## Product features:

- ✔ Metal stem
- ✔ Continuous spray



## More info:

Visit: [www.lindalgroup.com](http://www.lindalgroup.com)

Email: [products@lindalgroup.com](mailto:products@lindalgroup.com)

Contact: Your local sales consultant



Your Innovation Partner

## ① Mounting cup

Tinplate

- Without dimples
- Gold epoxy lacquer

## ② Outer Gasket

Buna

## ③ Inner Gasket

Neoprene, Buna

## ④ Valve stem

Brass

- 4.0mm stem  $\varnothing$
- 4 stem orifices with 1.6mm  $\varnothing$

## ⑤ Spring

Stainless steel

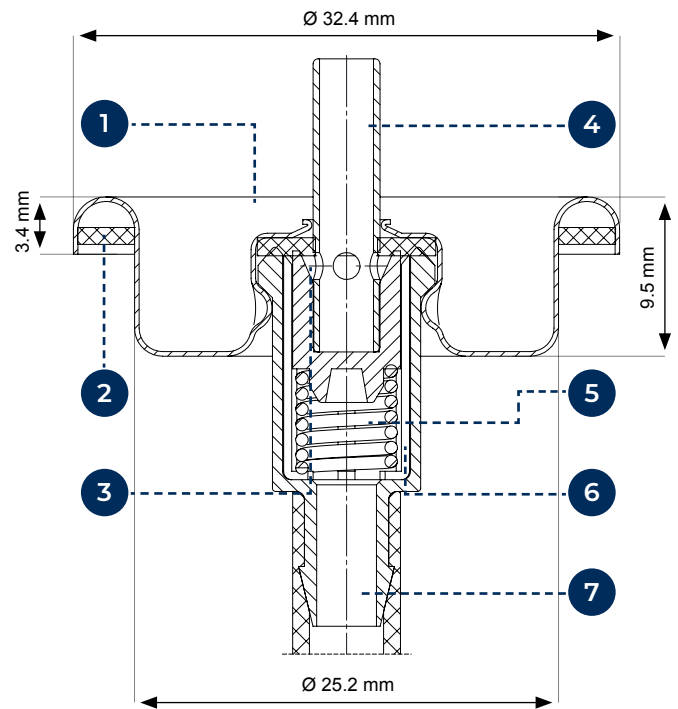
## ⑥ Housing

Polyamide

## ⑦ Diptube

Polyethylene

- Available with straight cut or 45° cut



\* Dimensions are subject to standard manufacturing tolerances



**i** Further technical information is available on request

### More info:

Visit: [www.lindalgroup.com](http://www.lindalgroup.com)

Email: [products@lindalgroup.com](mailto:products@lindalgroup.com)

Contact: Your local sales consultant



Your Innovation Partner