

Shark

52mm, 57mm and 65mm spray cap



Shark is a popular spray cap designed for home care and technical applications.

Product features:

- ✔ Available with MBU (mechanical breakup) and non-MBU inserts
- ✔ Gloss finish actuator
- ✔ Suitable for use with 52mm tinfoil cans and aluminium transfer cans
- ✔ Compatible with LINDAL's LI, LIB and male Bag-on-valve (BOV)



More info:

Visit: www.lindalgroup.com

Email: products@lindalgroup.com

Contact: Your local sales consultant

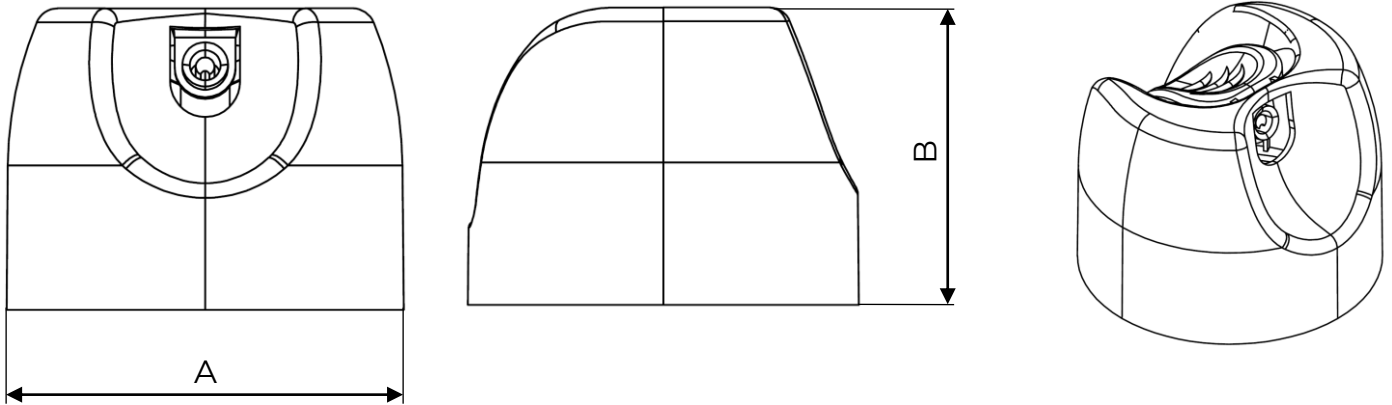


Your Innovation Partner

Available configurations

- Available in three diameter sizes; 52mm, 57mm and 65mm

Technical details



	52mm	57mm	65mm
Dimension A	52.7	57	65.9
Dimension B	40	43.7	50
Compatible valves	LI, LIP, male BOV		
Stem Ø	4mm		
Available insert	T130, T2K	T130, T2K	T130, T2K, T3K
Skirt size	6mm	6.75mm	6.25mm
Suitable cans	53mm Aluminum 52mm Tinplate	57mm Tinplate	65mm Tinplate
Available overcap	N/A		

- Further technical information is available on request

Product packaging

	52mm	57mm	65mm
Units per box	600	450 / 500	325
Boxes per euro pallet	16	16 / 20	16
Units per pallet	9,600	7,200 / 10,000	5,200

More info:

Visit: www.lindalgroup.com

Email: products@lindalgroup.com

Contact: Your local sales consultant



Your Innovation Partner