

# Nail

## Spray head for personal care



Nail is the ideal spray head for the personal care segment, suitable for applications such as hair products and body sprays.

### Product features:

- ✔ Suitable for can sizes from 35mm and up to 45mm on aluminium cans
- ✔ Available with MBU (mechanical breakup) and non-MBU inserts
- ✔ Compatible with LINDAL's LI valve and male Bag-on-valve (BOV)



### More info:

Visit: [www.lindalgroup.com](http://www.lindalgroup.com)

Email: [products@lindalgroup.com](mailto:products@lindalgroup.com)

Contact: Your local sales consultant

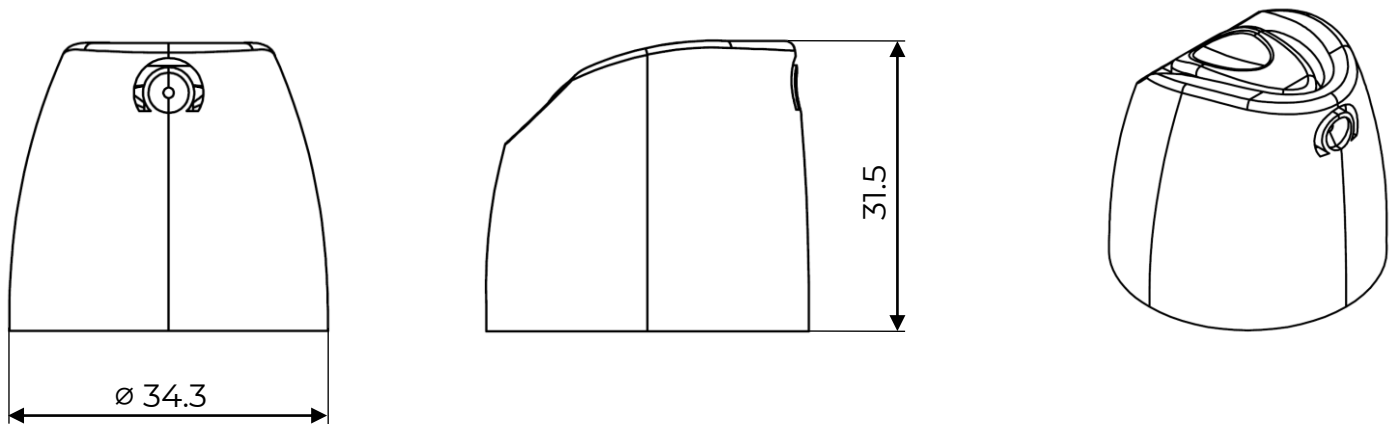


Your Innovation Partner

### Available configurations

- ✔ Compatible with LINDAL's LI valve and male Bag-on-valve (BOV)
- ✔ Available with MBU (mechanical breakup) and non-MBU inserts

### Technical details



Compatible valves	LI, LIP, LIB, Male BOV	Suitable cans	35-45mm Aluminium and Tinplate cans
Stem Ø	3.3mm, 4mm	Available overcap	N/A
Available insert	T4D, TM40, T130		
Skirt size	N/A		

**i** Further technical information is available on request

### Product packaging

- ✔ 4,000 units per box
- ✔ 20 boxes per euro pallet
- ✔ 80,000 units per pallet

#### More info:

Visit: [www.lindalgroup.com](http://www.lindalgroup.com)

Email: [products@lindalgroup.com](mailto:products@lindalgroup.com)

Contact: Your local sales consultant



Your Innovation Partner