

# FlipClassic

**Insert-less with integrated cap actuator.**

Cost-effective and ergonomically appealing design ideal for regional brands and contract fillers.

Designed for:

- ✔ Aluminium cans
- ✔ Lindal's full range of Bag on Valves (BoV)
- ✔ Standard LI valves



**More info:**

**Visit:** [www.lindalgroup.com](http://www.lindalgroup.com)

**Email:** [info@lindalgroup.com](mailto:info@lindalgroup.com)

**Search Google:** FlipClassic Actuator

Never lose your cap again.



**LINDAL**  
GROUP

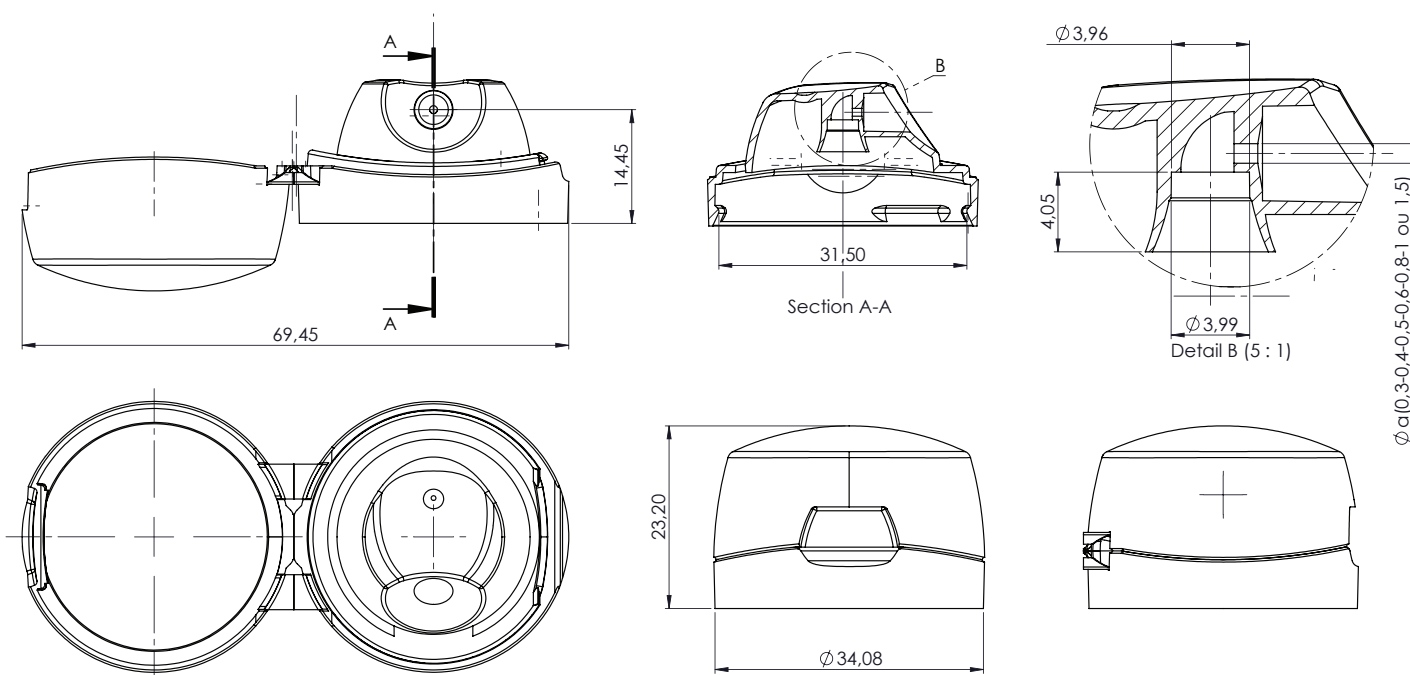
# FlipClassic

Insert-less with integrated cap actuator.

## Available configurations

- ✔ 1mm orifice diameter
- ✔ Polished finish
- ✔ 0,5mm orifice diameter
- ✔ Color customizable

## Technical details



FlipClassic actuator for male valves

|            |                                  |                     |                     |
|------------|----------------------------------|---------------------|---------------------|
| Valve type | STBOV (Bag-on-Valve System) / LI | Assembled           | On the mounting cap |
| Stem Ø     | 4mm                              | Can type            | Aluminium cans      |
| Insert     | N/A – 1-piece                    | Available overcaps: | N/A                 |
| Skirt      | Short                            |                     |                     |

**i** Further technical details are available at [www.lindalgroup.com](http://www.lindalgroup.com)

## Product packaging

- ✔ 1,700 units per box
- ✔ 40 box per euro pallet
- ✔ 68,000 units per pallet

More info, visit: [www.lindalgroup.com](http://www.lindalgroup.com) | or email: [info@lindalgroup.com](mailto:info@lindalgroup.com)  
 Or search Google: FlipClassic Actuator

