

# Carla

## Spray head with overcap



A 35mm actuator predominantly used in personal care but also suitable for pharmaceutical and food applications.

### Product features:

- ✔ Mono or Bi-colour (finger pad)
- ✔ Matt finish actuator with matt or gloss overcap
- ✔ Overcap available in gloss as standard with matt options available
- ✔ Various skirt heights available
- ✔ Available with MBU (mechanical breakup) and non-MBU inserts



### More info:

Visit: [www.lindalgroup.com](http://www.lindalgroup.com)

Email: [products@lindalgroup.com](mailto:products@lindalgroup.com)

Contact: Your local sales consultant

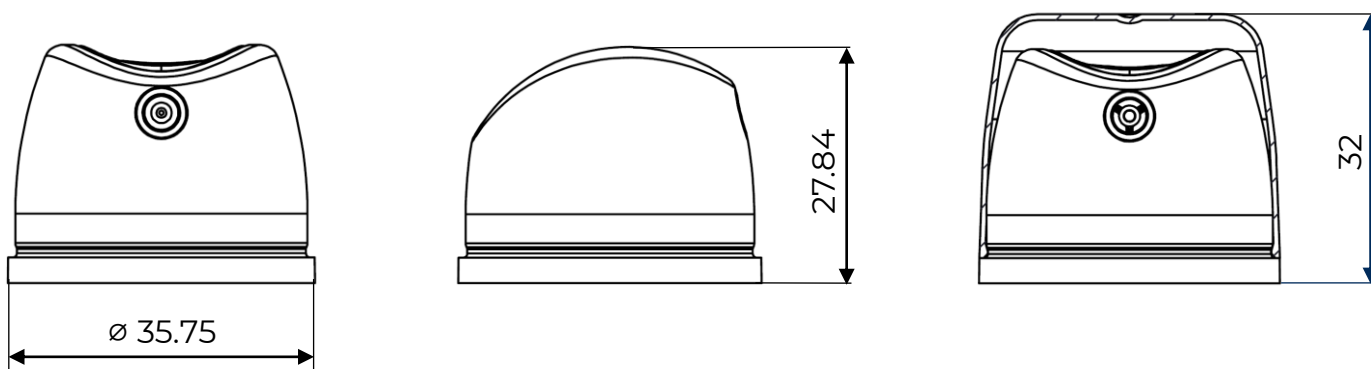


Your Innovation Partner

### Available configurations

- ✔ Compatible with LINDAL's CA39 and LIP valve
- ✔ Available with MBU (mechanical breakup) and non-MBU inserts

### Technical details



Compatible valves	CA39 and LIP	Suitable cans	Aluminium PET
Stem Ø	3.3mm		
Available insert	T130, T2K, T4D, TM40	Available overcap	Carla overcap
Skirt size	6.4mm (short skirt) 8.8mm (long skirt)		

**i** Further technical information is available on request

### Product packaging

- ✔ 1,500 units per box
- ✔ 16 / 20 boxes per euro pallet
- ✔ 24,000 / 30,000 units per pallet

#### More info:

Visit: [www.lindalgroup.com](http://www.lindalgroup.com)

Email: [products@lindalgroup.com](mailto:products@lindalgroup.com)

Contact: Your local sales consultant



Your Innovation Partner